

TC-5901C Pneumatic Shield Box



Features

- High RF Shielding
- Pneumatic control of lid open-close and optional automatic test fixture motions
- EMI filters on all data ports and power line
- Remote operation by RS-232C
- Modular I/O design for possible customization of data and RF connection
- Fixture control air outputs for custom test fixture
- Red and Green LED's for Pass/Fail indication
- Dual pressure control and Lid Down Sensor for safety
- CE compliant : EN 292-1:1991, EN 292-2:1991/A1:1995, EN 983:1996,
EN 1050:1996, EN 60204-1:1997

Specifications

Mechanical Specifications

Line voltage	100 - 240 VAC, 50/60 Hz, 15 watt max.
Data line capacity	100 VDC, 3 Amps max
Remote control	RS-232C, 3 wire, DB9(p)
Air connection	
Main connector	6 mm OD hose, one-touch push-on fitting
Fixture control connector	4 mm OD hose, one-touch push-on fitting
Input air pressure	5 to 10 bar
Dimension	
Inside	407(W) x 206(D) x 133(H) mm
Outside	459(W) x 300(D) x 300(H) mm, lid closed. 449(H) mm, lid open
Weight	approx. 17 kg
*Packing	
Size	620 (W) x 430(D) x 440(H) mm
Weight	approx. 21 kg

* The size or weight of a package may vary on how to pack a package.

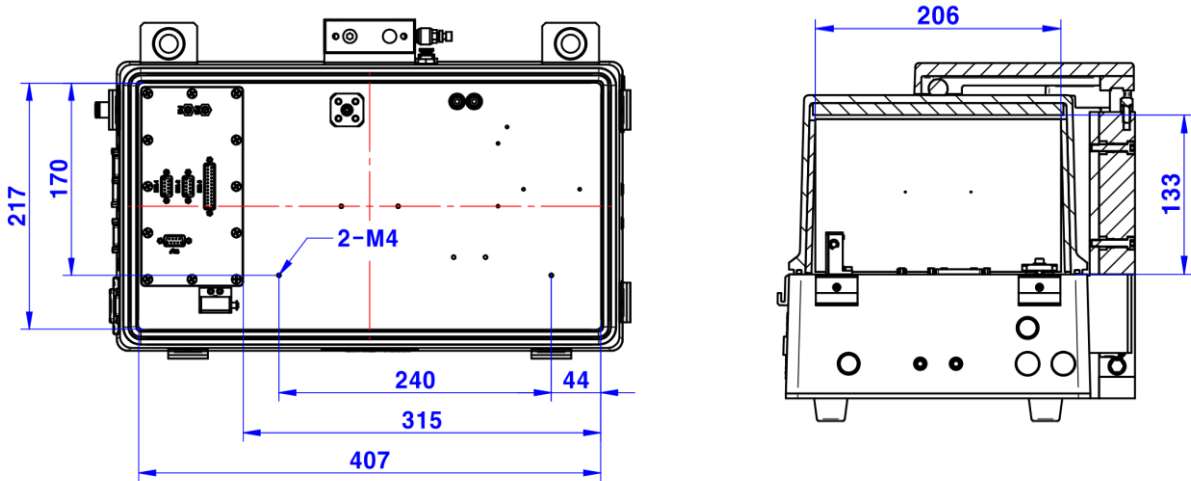
Typical RF Shielding

The shield effectiveness below is measured when the blank panel is mounted; other I/O interface panel results a different shielding effectiveness of the shield box.

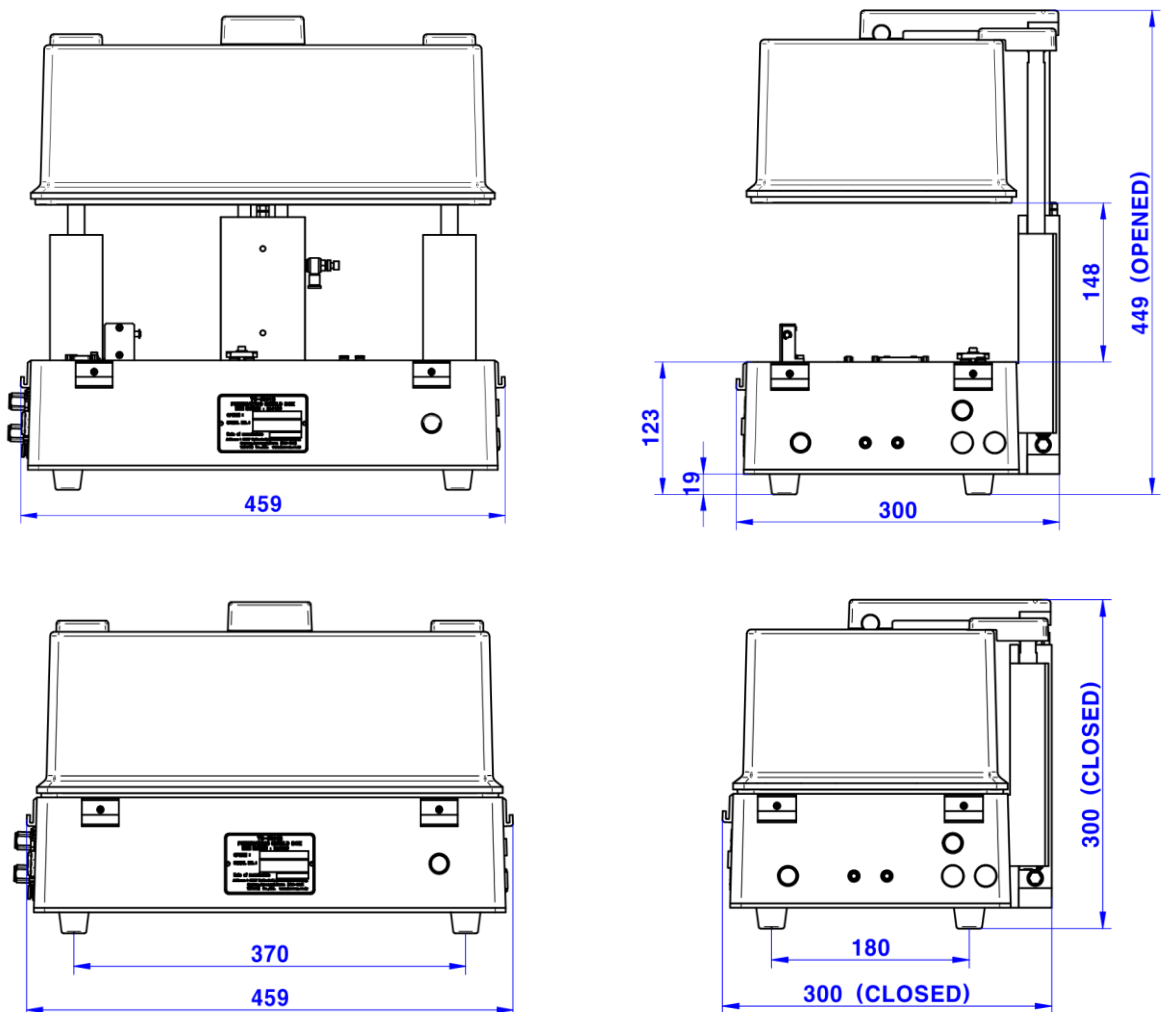
Frequency	Shielding effectiveness (dB)
100 to 2000 MHz	> 70 dB
2000 to 3000 MHz	> 60 dB
3000 to 6000 MHz	> 50 dB

Dimensions

- TC-5901C Inner Dimension (WxDxH) : 407(W) x 206(D) x 133(H) mm



- TC-5901C Outer Dimension (WxDxH) : 459(W) x 300(D) x 300(H) mm





Ordering Information



Order Number	Description
TC-5901C	Pneumatic Shield Box (including accessories below)
	Test Report
	RF Cable, SS-402, N(m) to N(m) 1 m, 1 pc
	Data Cable, DB9(p) to DB9(s) cable 2 m, 1 pc
	Lid Stopper, 1 pc
	Hand Valve, 1 pc
	Power Cable, 220 V, 1 pc

Custom I/O Interface Panel

- Customized I/O Interface Panel is available by selecting below I/O interfaces and combine.
Please contact Tescom sales team or your local distributor.

I/O Interface	Description / Order Number	Typical Data Rate / Line Voltage	*Typical Shielding
	DB25, 1000pF pi Filter / 3409-0009-1	3 Mbps / 100 VDC, 5 Amps max	>70 dB from 0.5 to 2 GHz >80 dB from 2 to 3 GHz >70 dB from 3 to 6 GHz
	DB25, 100pF pi Filter / 3409-0014-1	10 Mbps / 100 VDC, 5 Amps max	>50 dB from 0.5 to 2 GHz >60 dB from 2 to 3 GHz >60 dB from 3 to 6 GHz
	DB9, 1000pF pi Filter / 3409-0008-1	3 Mbps / 100 VDC, 5 Amps max	>70 dB from 0.5 to 2 GHz >80 dB from 2 to 3 GHz >70 dB from 3 to 6 GHz
	DB9, 100pF pi Filter / 3409-0010-1	10 Mbps / 100 VDC, 5 Amps max	>50 dB from 0.5 to 2 GHz >60 dB from 2 to 3 GHz >60 dB from 3 to 6 GHz
	USB 2.0 Filter / 3409-0018A-3	480 Mbps / 5 V, 500 mA / Max Current: 5 A	>60 dB from 0.5 to 2 GHz >70 dB from 2 to 3 GHz >70 dB from 3 to 6 GHz
	USB 3.0 Filter(Active) / 3409-0042A-2	5000 Mbps/ 5 V, 600 mA / Max Current: 1.5 A	>80 dB from 0.5 to 2 GHz >80 dB from 2 to 3 GHz >75 dB from 3 to 6 GHz
	RJ-45 Filter / 3409-0022A	1 Gbit/s Copper-Line Ethernet (1000 BASE-T)	>60 dB from 0.5 to 2 GHz >70 dB from 2 to 3 GHz >70 dB from 3 to 6 GHz
	DC Power Adaptor / 3406-0004A	50 VDC, 3 Amps max	>70 dB from 0.5 to 2 GHz >80 dB from 2 to 3 GHz >80 dB from 3 to 6 GHz

	DC Power Adaptor (Banana Jack Type) / 3406-0005A, 3406-0006A	50 VDC, 10 Amps max	>70 dB from 0.5 to 2 GHz >80 dB from 2 to 3 GHz >80 dB from 3 to 6 GHz
	AC Power Adaptor / 3103-0009A	250 VAC, 7 Amps max	>70 dB from 0.5 to 2 GHz >80 dB from 2 to 3 GHz >80 dB from 3 to 6 GHz

I/O Interface	Description / Order Number	Frequency Range / Impedance / V.S.W.R
	RF, N-SMA Connector / 3408-0038	From DC to 6 GHz / 50 Ω / 1.15 max
	RF, SMA-SMA Connector / 3408-0039	From DC to 8 GHz / 50 Ω / 1.15 max

- Each shielding effectiveness is measured when each I/O interface panel, which is shown above, is mounted.
- Above data was measured by Tescom, The Shielding Effectiveness might be different based on the measuring method and condition.
- This data has been measured under the condition that the cables are not connected to each filters. When the cables are connected it can affect the shielding performance.

SPECIFICATIONS SUBJECT TO CHANGE WITHOUT PRIOR NOTICE