

TC-5915A Shield Box



Features

- High RF shielding
- Easy open/close
- EMI filters on all data ports and power lines
- Easily customizable to suit various test needs
- Shock absorber on the lid

Specifications

Mechanical Specifications

Dimensions

Inside	236(W) x 297(D) x 180(H) mm
Outside	309(W) x 473(D) x 221(H) mm, lid closed. 442(H) mm, lid open.

Weight	Approx. 9 kg
---------------	--------------

*Packing

Size	460(W) x 530(D) x 340(H) mm
Weight	Approx. 10 kg

* The size or weight of a package may vary depending on how the product is packed.

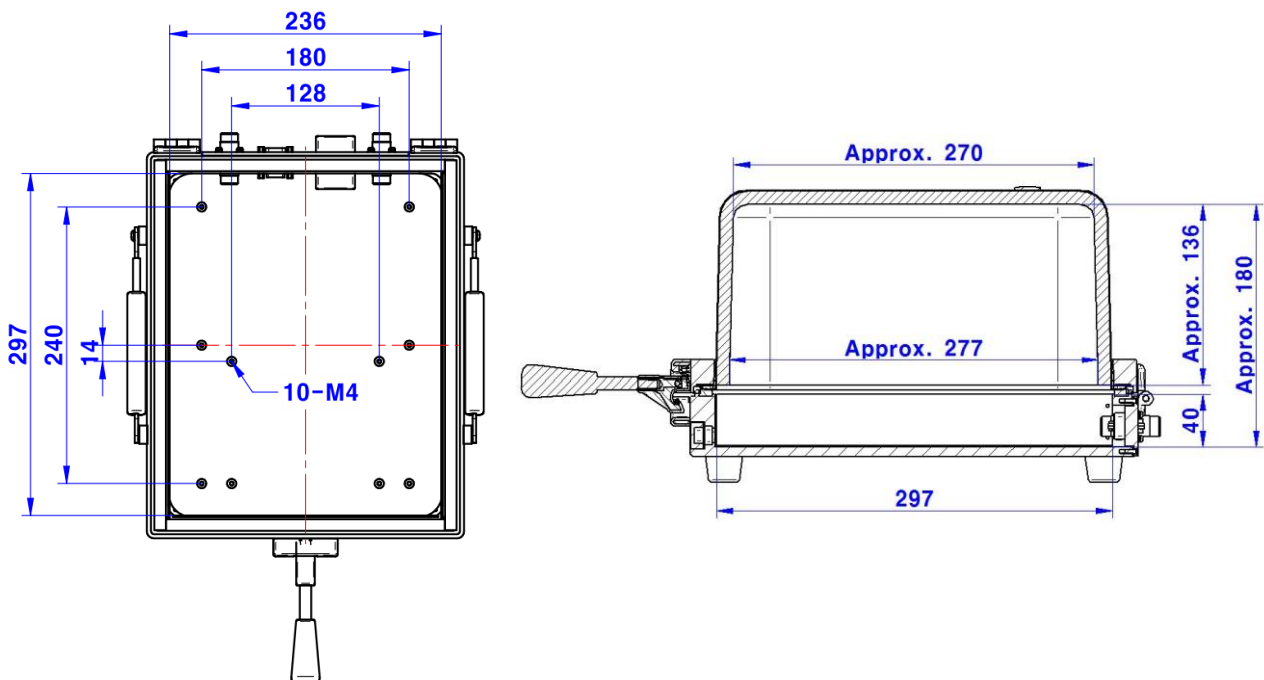
Typical RF Shielding

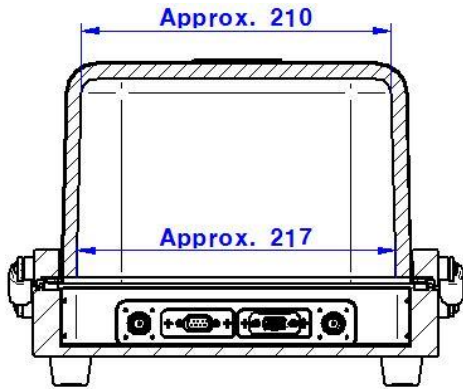
The shielding effectiveness below is measured with blank panels mounted. Other I/O interface panel may result in different shielding effectiveness.

Frequency	Shielding Effectiveness (dB)
100 to 2000 MHz	> 70 dB
2000 to 3000 MHz	> 70 dB
3000 to 6000 MHz	> 60 dB

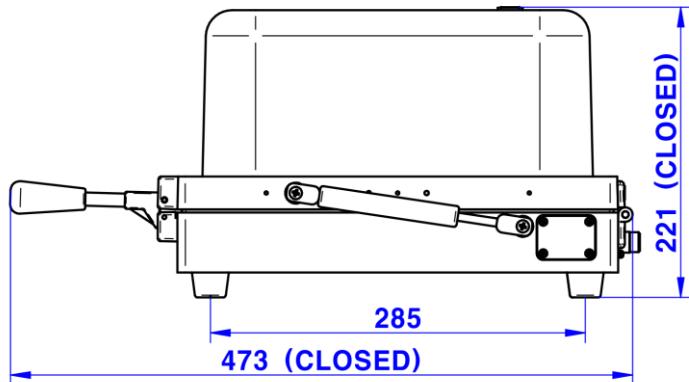
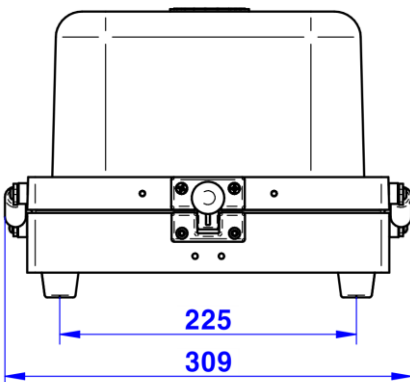
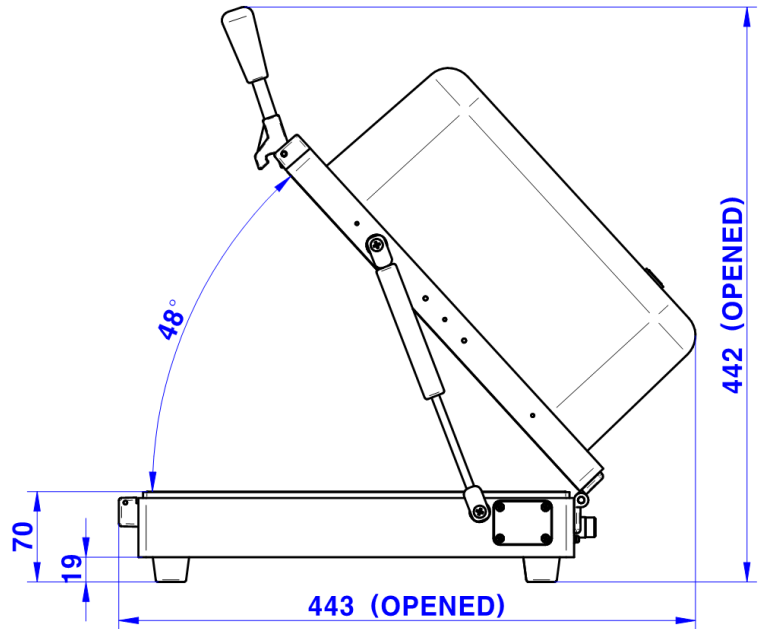
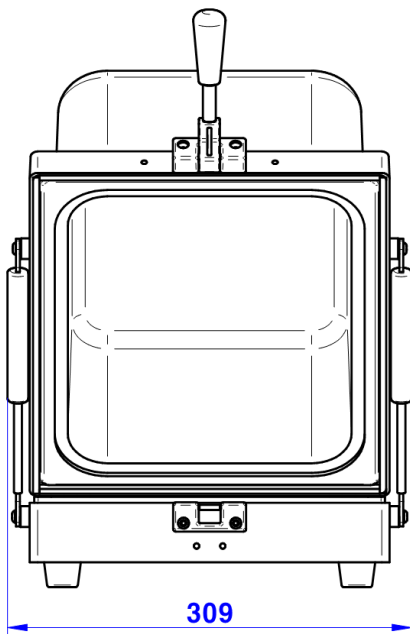
Dimensions

- TC-5915A Inner Dimensions (WxDxH) : 236(W) x 297(D) x 180(H) mm





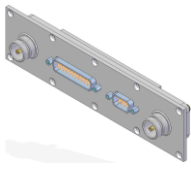
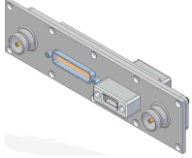
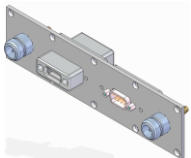
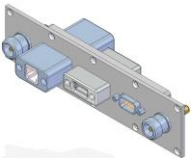
- TC-5915A Outer Dimensions (WxDxH) : 309(W) x 473(D) x 221(H) mm, lid closed.
442(H) mm, lid open.



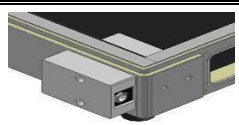
Ordering Information

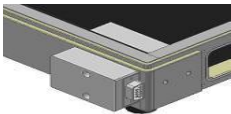
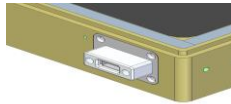
Order Number	Description
TC-5915A	Shield Box (including accessories below)
	Test Report
	RF Cable (4011-0001), SS-402, N(m) to N(m) 1 m, 1 pc

Pre-Configured I/O Interface Panel

I/O Interface Panel	Order Number	Configuration
 <p>Data Interface Panel</p>	M591502B	<ul style="list-style-type: none"> • Two(2) N (f) outside and SMA (f) inside • One(1) DB9(p) outside and DB9(s) inside, 1000 pF pi filter • One(1) DB25(p) outside and DB25(s) inside, 1000 pF pi filter
 <p>Data Interface Panel</p>	M591502D	<ul style="list-style-type: none"> • Two(2) N (f) outside and SMA (f) inside • One(1) DB25(p) outside and DB25(s) inside, 1000 pF pi filter • One(1) USB 2.0 outside and inside
 <p>Data Interface Panel</p>	M591542B	<ul style="list-style-type: none"> • Two(2) N (f) outside and SMA (f) inside • One(1) DB9(p) outside and DB9(s) inside, 1000 pF pi filter • One(1) USB 2.0 outside and inside
 <p>Data Interface Panel</p>	M591518A	<ul style="list-style-type: none"> • Two(2) N (f) outside and SMA (f) inside • One(1) DB9(p) outside and DB9(s) inside, 100 pF pi filter • One(1) USB 2.0 outside and inside • One(1) RJ-45 outside and inside

Pre-Configured Side I/O Interface Panel



I/O Interface Panel	Order Number	Configuration
 <p>DC Power Side Interface Panel</p>	M591532A	<ul style="list-style-type: none"> • One(1) DC Power Jack Adaptor

	M591533A	<ul style="list-style-type: none"> One(1) DB9(p) outside and DB9(s) inside, 1000 pF pi filter
DB9 Side Interface Panel		
	M591534B	<ul style="list-style-type: none"> One(1) USB 2.0 outside and inside
USB 2.0 Side Interface Panel		

Custom I/O Interface Panel

- Customized I/O interface panel is available by selecting and arranging I/O interfaces below. Please contact TESCOM sales team or your local distributor.

I/O Interface	Description / Order Number	Typical Data Rate / Line Voltage	*Typical Shielding
	DB25, 1000pF Pi Filter / 3409-0009-1	3 Mbps / 100 VDC, 5 Amps max	>70 dB from 0.5 to 2 GHz >80 dB from 2 to 3 GHz >70 dB from 3 to 6 GHz
	DB25, 100pF Pi Filter / 3409-0014-1	10 Mbps / 100 VDC, 5 Amps max	>50 dB from 0.5 to 2 GHz >60 dB from 2 to 3 GHz >60 dB from 3 to 6 GHz
	DB9, 1000pF Pi Filter / 3409-0008-1	3 Mbps / 100 VDC, 5 Amps max	>70 dB from 0.5 to 2 GHz >80 dB from 2 to 3 GHz >70 dB from 3 to 6 GHz
	DB9, 100pF Pi Filter / 3409-0010-1	10 Mbps / 100 VDC, 5 Amps max	>50 dB from 0.5 to 2 GHz >60 dB from 2 to 3 GHz >60 dB from 3 to 6 GHz
	USB 2.0 Filter / 3409-0018A-3	480 Mbps / 5 V, 500 mA / Max Current: 5 A	>60 dB from 0.5 to 2 GHz >70 dB from 2 to 3 GHz >70 dB from 3 to 6 GHz
	USB 3.1 Gen 1 Filter (Active) / 3409-0042A-2	5000 Mbps / 5 V, 600 mA / Max Current: 1.5 A	>80 dB from 0.5 to 2 GHz >80 dB from 2 to 3 GHz >75 dB from 3 to 6 GHz
	RJ-45 Filter / 3409-0022A	1 Gbit/s Copper-Line Ethernet (1000 BASE-T)	>60 dB from 0.5 to 2 GHz >70 dB from 2 to 3 GHz >70 dB from 3 to 6 GHz
	DC Power Adaptor / 3406-0004A	50 VDC, 3 Amps max	>70 dB from 0.5 to 2 GHz >80 dB from 2 to 3 GHz >80 dB from 3 to 6 GHz
	DC Power Adaptor (Banana Jack Type) / 3406-0005A, 3406-0006A	50 VDC, 10 Amps max	>70 dB from 0.5 to 2 GHz >80 dB from 2 to 3 GHz >80 dB from 3 to 6 GHz
	AC Power Adaptor / 3103-0009A	250 VAC, 7 Amps max	>70 dB from 0.5 to 2 GHz >80 dB from 2 to 3 GHz >80 dB from 3 to 6 GHz

I/O Interface	Description / Order Number	Frequency Range / Impedance / V.S.W.R
	RF, N-SMA Connector / 3408-0038	From DC to 6 GHz / 50 Ω / 1.15 max
	RF, SMA-SMA Connector / 3408-0039	From DC to 8 GHz / 50 Ω / 1.15 max

- ***Typical Shielding** is an estimated value with I/O interface applied.
- The data above were measured by TESCOM standards, and they may be different depending on the measuring method and environment.
- Each shielding effectiveness is measured without any cable, so it will be likely affected when a cable is connected. Also, it may vary depending on the type of cable.

Fixture

- TESCOM offers standard grid fixtures that can change the position of DUT holding blocks. An optimal fit for different shapes of DUT can be made within seconds. Also, fully customized fixtures can be manufactured and supplied if necessary to meet the customer's demands.
- In addition to the fixture, various types of antenna coupler options can form an ideal measuring environment for characteristics of each DUT.

Grid Fixture	Order Number	Description
  	F59154A	<ul style="list-style-type: none"> • Antenna Coupler fixed type fixture • Antenna Coupler (Optional) : TC-93026A • 203(W) x 280(D) x 25(H) mm

SPECIFICATIONS SUBJECT TO CHANGE WITHOUT PRIOR NOTICE