

Product(s) discontinued notice

The following products will be discontinued in June 2018. After the last order date(June 30, 2018), the products are no longer available for the purchase.

Please refer to the "Notice" (<http://en.tescom.co.kr/company/company8>) tab or the product bulletin on the TESCOM homepage for details about the technical support and after service schedule for each product.

| EOL* | EOL notification reasons | Last Order Date | End of Service (A/S Schedule) |
|------------------|--|-----------------|--|
| TC-5922A | Released a new model version (TC-5922A -> TC-5922B) | June 30, 2018 | June 30, 2023 (Holding on to A/S Parts : up to 5 years after stopping production) |
| TC-5922AP | Released a new model version (TC-5922AP -> TC-5922BP) | | |
| TC-5921AE | End of Sales | | |
| TC-5922AE | | | |

* EOL: End of Life

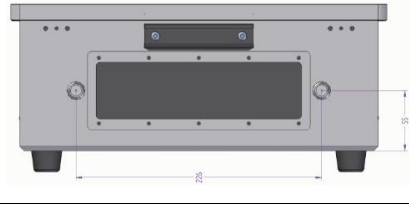
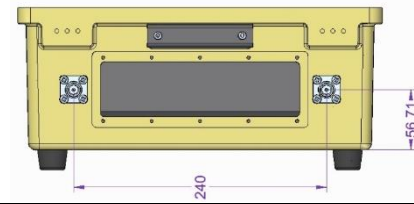
Please contact with our local sales office in your area in case of scheduling your development projects and orders to be placed. We apologize for the inconvenience that this action will cause you.

Upgrade Details from 'TC-5922A/TC-5922AP' to 'TC-5922B/TC-5922BP'

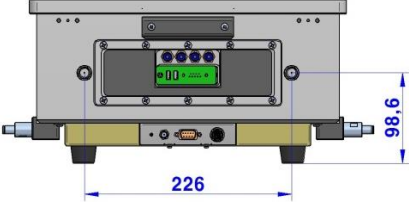
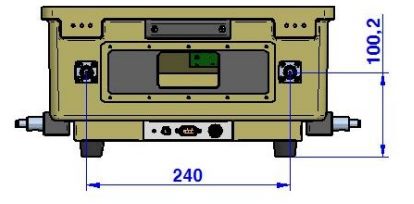
Key changes

- New version released due to the changing of machining method
- Minor changes in the inner and outer sizes
- Changes in the RF ports interval
- No changes in RF specification

[Table 1] Comparison to the TC-5922A and TC-5922B

| Item | | TC-5922A | TC-5922B |
|---|-------|---|--|
| Dimension | Outer | 382(W) x 577(D) x 288(H) mm, 600(H) mm, lid open | 378(W) x 577(D) x 289(H) mm, 600(H) mm, lid open |
| | Inner | 296(W) x 435(D) x 230(H) mm | 296(W) x 435(D) x 238(H) mm |
| RF ports interval | | 226 mm | 240 mm |
| | |  |  |
| RF Performance (Isolation, blank module) | | > 70 dB at 0.1 ~ 3 GHz > 60 dB at 3 ~ 6 GHz | |

[Table 2] Comparison to the TC-5922AP and TC-5922BP

| Item | | TC-5922AP | TC-5922BP |
|---|-------|---|--|
| Dimension | Outer | 429(W) x 601(D) x 330(H) mm, 623(H) mm, lid open | 420(W) x 601(D) x 330(H) mm, 623(H) mm, lid open |
| | Inner | 296(W) x 435(D) x 230(H) mm | 296(W) x 435(D) x 238(H) mm |
| RF ports interval | | 226 mm | 240 mm |
| | |  |  |
| RF Performance (Isolation, blank module) | | > 70 dB at 0.1 ~ 3 GHz > 60 dB at 3 ~ 6 GHz | |