

TC-5922BU Shield Box



Features

- Reliable high RF shielding from 0.1 GHz to 12 GHz
- Easy to open & close
- Absorbing materials for stable measurement results
- EMI filters on all data ports and power line
- Customizable I/O interface panels
- Shock absorber on the lid

Specifications

RF Specifications

Frequency Range 0.1 GHz to 12 GHz

*** Shielding Effectiveness (Typ.)**

0.1 GHz to 3 GHz	> 70 dB
3 GHz to 6 GHz	> 60 dB
6 GHz to 12 GHz	> 60 dB

* The shielding effectiveness is measured with blank panels mounted; other I/O interface panel may result in different shielding effectiveness.

Mechanical Specifications

Basic RF Connector Two(2) N (f) outside and SMA (f) inside

Dimensions

Inside	296(W) x 435(D) x 238(H) mm
Outside	378(W) x 577(D) x 289(H) mm, lid closed. 600(H) mm, lid open.

Weight Approx. 22 kg

***Packing**

Size	560(W) x 820(D) x 470(H) mm
Weight	Approx. 28 kg

* The size or weight of a package may vary depending on how the product is packed.

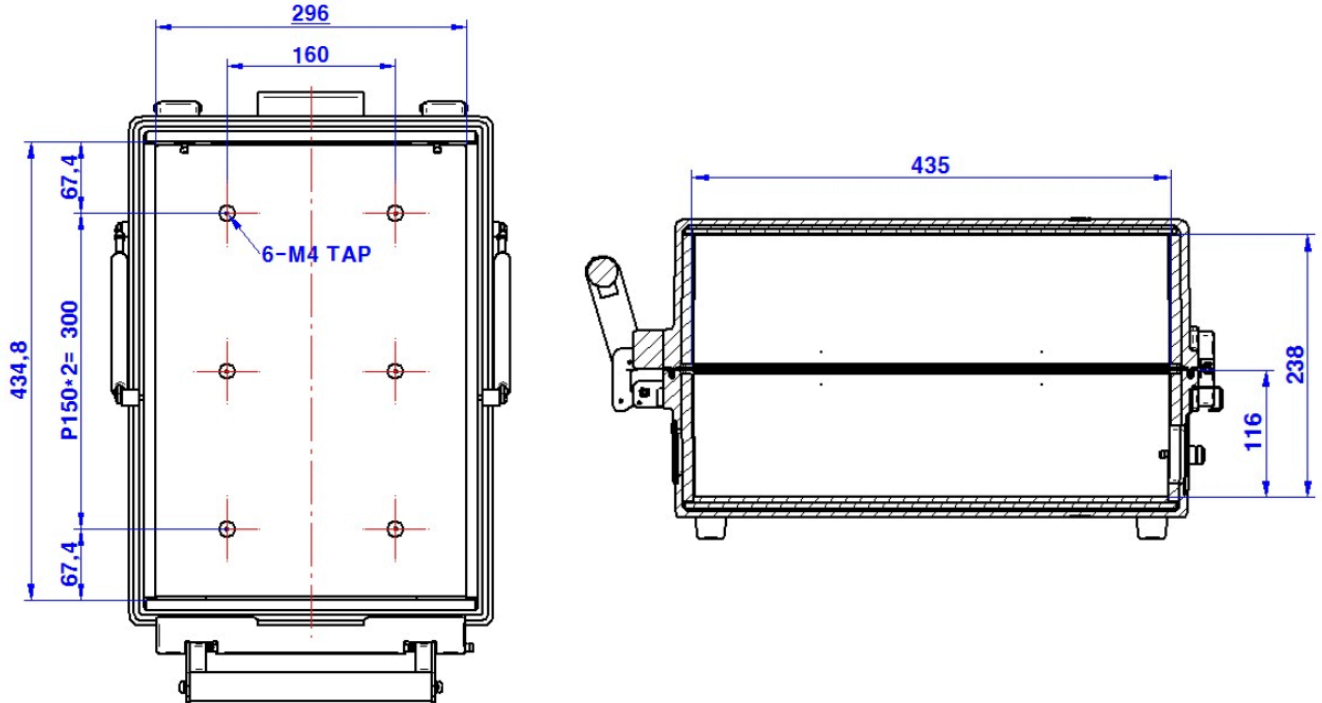
Absorber Reflectivity

Referring to a metal plate (0 dB @ 0.5 GHz to 12 GHz), signal reduction is measured with the RF absorber inserted.

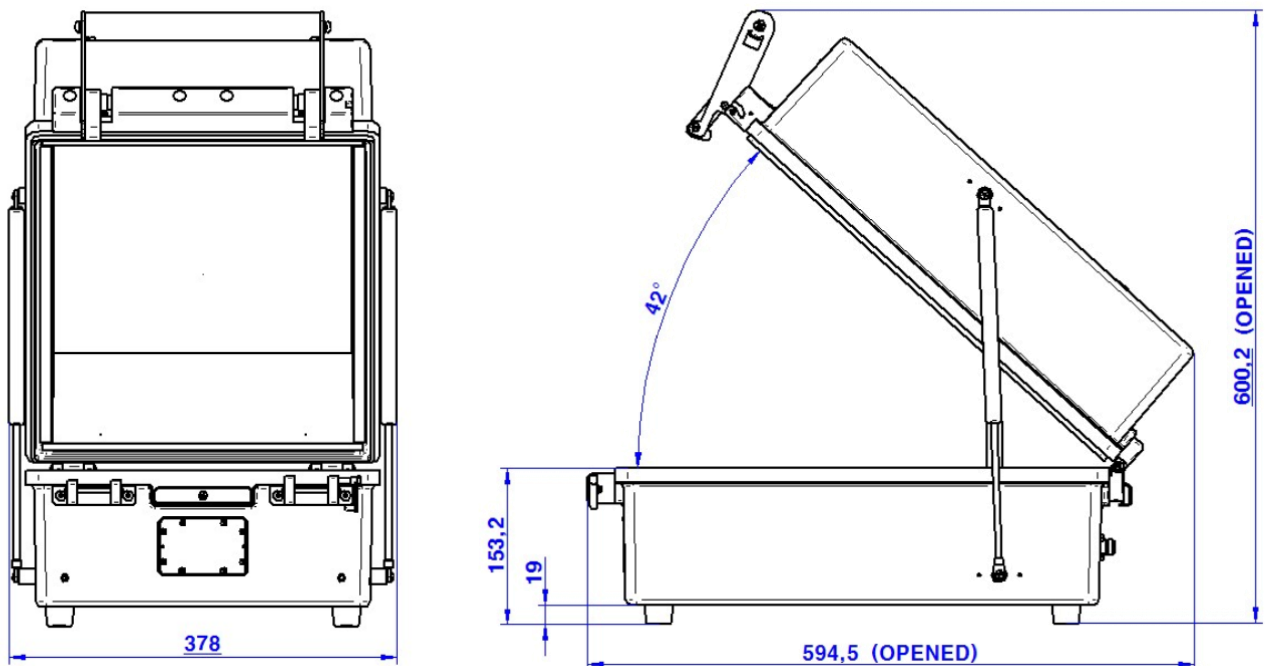
Frequency Range	Reflectivity (Typ.) [dB]
0.5 GHz to 3 GHz	3 dB
3 GHz to 6 GHz	6 dB
6 GHz to 12 GHz	10 dB

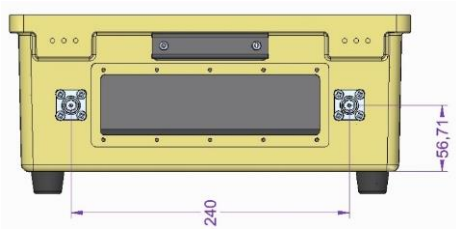
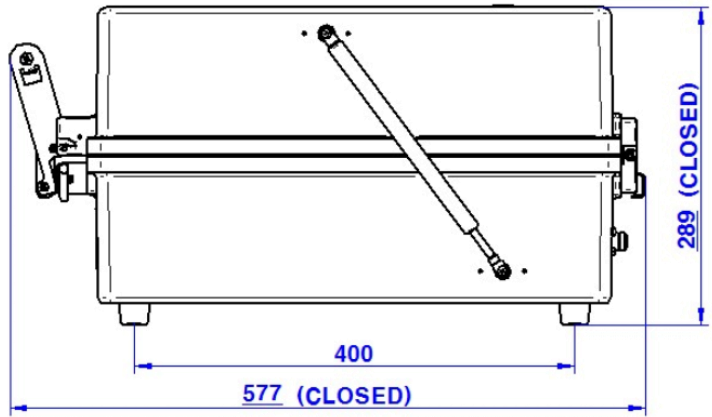
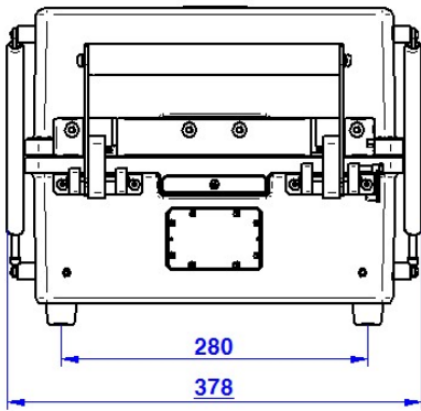
Dimensions

- TC-5922BU Inner Dimensions (WxDxH) : 296(W) x 435(D) x 238(H) mm



- TC-5922BU Outer Dimensions (WxDxH) : 378(W) x 577(D) x 289(H) mm, lid closed.
600(H) mm, lid open.






Ordering Information

Order Number	Description
TC-5922BU	Shield Box (including accessories below) Test Report



Optional I/O Interface Panel

■ Pre-Configured I/O Interface Panel

I/O Interface Panel	Order Number	Configuration
	TBD	Blank Panel



Optional Antenna Coupler Fixture

- TESCOM offers standard grid fixtures that can change the position of DUT holding blocks. An optimal fit for different shapes of DUT can be made within seconds. Also, fully customized fixtures can be manufactured and supplied if necessary to meet the customer's demands.
- In addition to the fixture, various types of antenna coupler options can form an ideal measuring environment for characteristics of each DUT.

Antenna Coupler	Order Number	Configuration
 	Grid Fixture (TBD) TC-93160A	Antenna Coupler fixed grid fixture <ul style="list-style-type: none"> • Antenna Coupler(Optional): TC-93160A <ul style="list-style-type: none"> - Frequency range: 6 GHz ~ 12 GHz - RF connector type: SMA female • RF Cable(Optional): 4011-0123 <ul style="list-style-type: none"> - Frequency range: DC to 18 GHz - SS-405, SMA(M) R/A -SMA(M) R/A, 80 cm

■ Custom RF Connector Panel







- Custom RF Connector Panel is available by selecting or combining the below RF Connectors.

RF Connector	Description / Order Number	Frequency Range / Impedance / V.S.W.R
	RF, N-SMA BH Connector / 3408-0100	From DC to 18 GHz / 50 Ω / 1.3 max
	RF, SMA-SMA 4H Connector / 3408-0097	From DC to 18 GHz / 50 Ω / 1.3 max

■ Custom I/O Interface Panel

- Customized I/O Interface Panel is available by selecting below I/O interfaces and combine.

Please contact Tescom sales team or your local distributor.

I/O Interface	Description / Order Number	Typical Data Rate / Line Voltage	Typical Shielding ^(*)
	USB 2.0 Filter / 3409-0018A-3 ^(a)	480 Mbps / 5 V, 500 mA / Max Current: 5 A	>60 dB from 0.5 to 2 GHz >70 dB from 2 to 3 GHz >70 dB from 3 to 6 GHz >70 dB from 6 to 12 GHz
	USB 3.1 Gen 1 Filter (Active) / 3409-0042A-2 ^(a)	5000 Mbps / 5 V, 600 mA / Max Current: 1.5 A	>80 dB from 0.5 to 2 GHz >80 dB from 2 to 3 GHz >75 dB from 3 to 6 GHz >55 dB from 6 to 12 GHz
	RJ-45 Filter / 3904-0296A	RJ45 Filter: 1 Gbit/s Copper Line Ethernet (1000 BASE-T)	>60 dB from 0.5 to 2 GHz >70 dB from 2 to 3 GHz >70 dB from 3 to 6 GHz >60 dB from 6 to 12 GHz
	DC Power Adaptor / 3406-0004A	50 VDC, 3 Amps max	>70 dB from 0.5 to 2 GHz >80 dB from 2 to 3 GHz >80 dB from 3 to 6 GHz >70 dB from 6 to 12 GHz
	DC Power Adaptor (Banana Jack Type) 3406-0005A-1 (Black) 3406-0006A-1 (White)	50 VAC, 10 Amps max	>70 dB from 0.5 to 2 GHz >80 dB from 2 to 3 GHz >80 dB from 3 to 6 GHz >70 dB from 6 to 12 GHz
	AC Power Adaptor / 3103-0009A	250 VAC, 7 Amps max	>70 dB from 0.5 to 2 GHz >80 dB from 2 to 3 GHz >80 dB from 3 to 6 GHz >70 dB from 6 to 12 GHz

- ^(a) : Exclusive cables should be used.
(USB Cable, 4008-0079A, 2 M, USB 3.0 A(M) - USB 3.0 A(M), Housing: Aluminum)
- ***Typical Shielding** is an estimated value with I/O interface applied.
- The data above were measured by TESCOM standards, and they may be different depending on the measuring method and environment.
- Each shielding effectiveness is measured without any cable, so it will be likely affected when a cable is connected. Also, it may vary depending on the type of cable.

SPECIFICATIONS SUBJECT TO CHANGE WITHOUT PRIOR NOTICE